

MODEL: 50146

ASSEMBLY INSTRUCTIONS

READ AND SAVE THESE INSTRUCTIONS

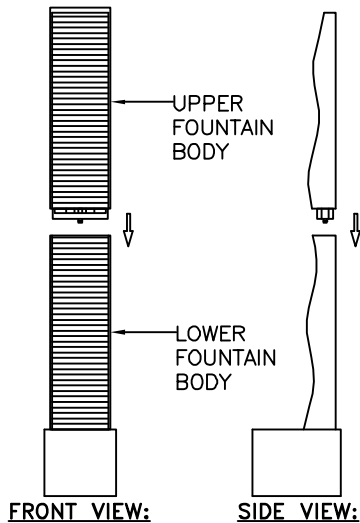
UNPACK THE FOUNTAIN

YOU SHOULD HAVE RECEIVED THE FOLLOWING PARTS: LIGHT ASSEMBLY WITH (2) SCREWS, (3) MR-16 BULBS, UPPER FOUNTAIN BODY, LOWER FOUNTAIN BODY, LID, TRANSFORMER, PUMP AND A BAG OF RIVER STONES.

TOOLS NEEDED (NOT SUPPLIED): SCREWDRIVER.

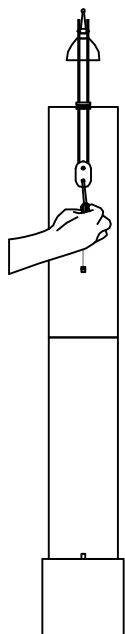
FOUNTAIN ASSEMBLY

1. INSERT UPPER FOUNTAIN BODY INTO LOWER FOUNTAIN BODY.



2. ATTACH LIGHT ASSEMBLY TO BACK OF FOUNTAIN BODY WITH (2) SCREWS, THEN INSTALL A MR-16 BULB.

(FREE REPLACEMENT BULBS INCLUDED)

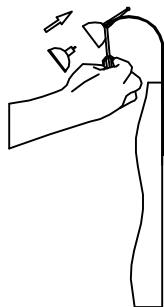


BACK VIEW:

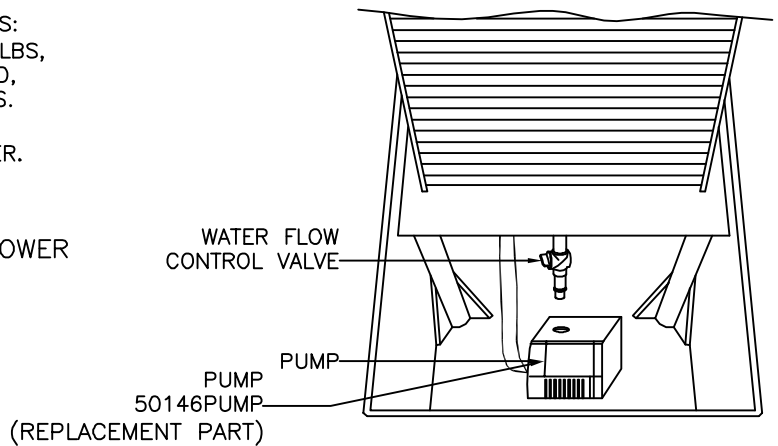
INSTALL BULB:

* LOOSEN (2) SMALL SCREWS IN SOCKET TO REMOVE BULB.

** INSERT NEW BULB AND TIGHTEN SMALL SCREWS.

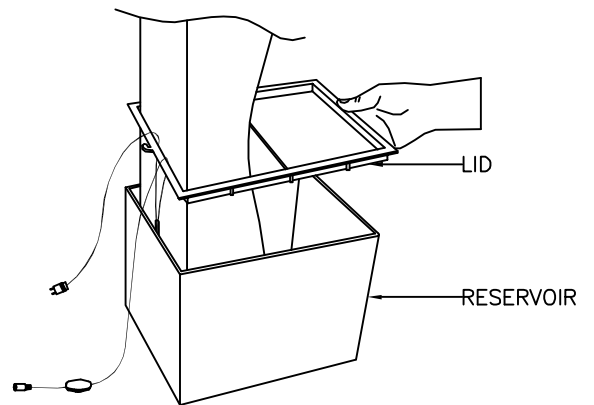


3. ATTACH WATER FLOW CONTROL VALVE TO PUMP AND PLACE PUMP FLAT IN BASIN.



NOTE: YOU CAN ADJUST THE WATER FLOW CONTROL VALVE TO CONTROL THE SPEED OF THE WATER FLOW.

4. SLIDE LID OVER TOP OF FOUNTAIN BODY AND SECURE LID ONTO THE RESERVOIR.



5. PLACE DECORATIVE STONES ONTO LID. **NOTE:** ADJUST THE POSITION OF THESE STONES TO HELP PREVENT WATER SPLASH.

6. FILL RESERVOIR WITH ENOUGH WATER TO COMPLETELY SUBMERSE PUMP. (DISTILLED WATER IS RECOMMENDED TO REDUCE MINERAL DEPOSITS AND BACTERIA BUILD-UP.)

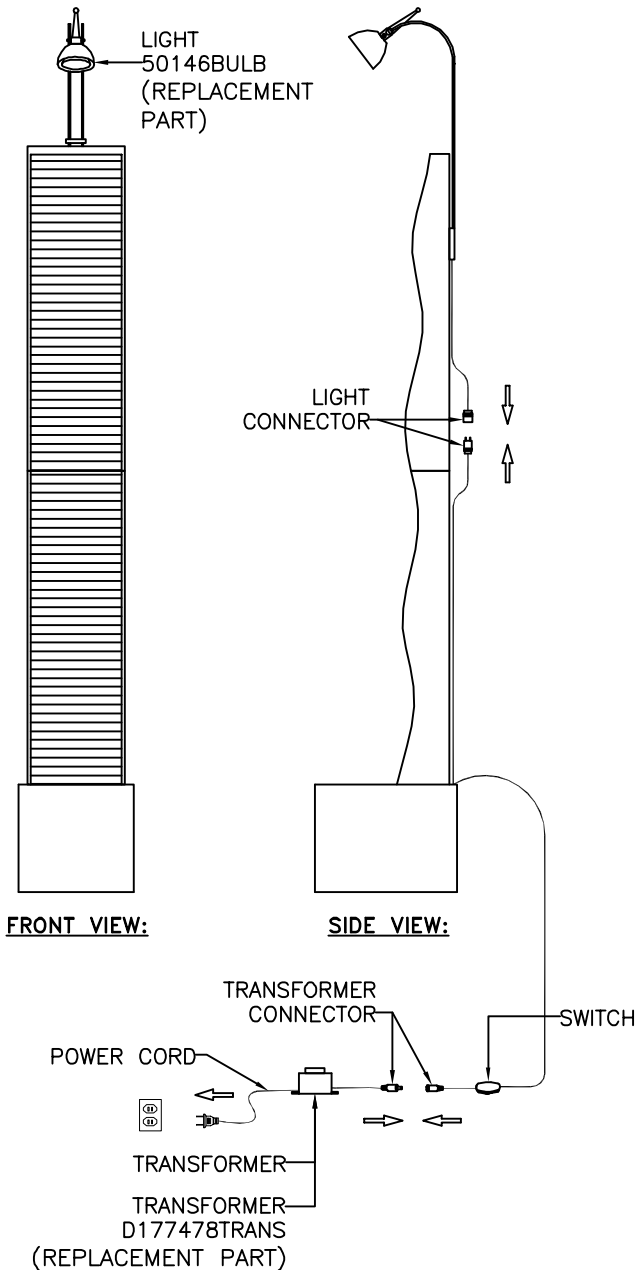
NOTE: RESERVOIR HOLDS 1.8 GALLONS OF WATER.

MODEL: 50146

ASSEMBLY INSTRUCTIONS

7. JOIN THE LIGHT CONNECTORS TOGETHER AND JOIN THE TRANSFORMER CONNECTORS TOGETHER.

8. PLUG THE POWER CORD INTO SOCKET, THEN TURN ON AT SWITCH, YOUR FOUNTAIN IS READY TO USE.



TROUBLE SHOOTING

1. IF YOUR FOUNTAIN DOES NOT WORK, CHECK PLUG AT THE SOCKET. MAKE SURE THE PLUG IS FULLY AND PROPERLY INSERTED INTO THE WALL OUTLET.
2. NEXT CHECK TO MAKE SURE THE OUTLET IS POWERED.
3. IF THE FOUNTAIN STILL DOES NOT WORK, PLEASE CONTACT YOUR DISTRIBUTOR OR PLACE OF PURCHASE.

SPLASHING DISCLAIMER

SPLASHING MAY OCCUR WHEN FOUNTAIN IS INITIALLY TURNED ON. PROTECT SURROUNDING SURFACES AS NEEDED.

IMPORTANT PUMP INFORMATION

PUMP MUST BE FULLY SUBMERSED IN WATER WHILE OPERATING.

WATER

TO REDUCE MINERAL DEPOSITS AND BACTERIA BUILD UP, THE USE OF DISTILLED WATER IS RECOMMENDED.

IMPORTANT SAFETY INSTRUCTIONS

THIS FOUNTAIN HAS A POLARIZED PLUG (ONE BLADE IS WIDER THAN THE OTHER) AS A FEATURE TO REDUCE THE RISK OF ELECTRIC SHOCK. THIS PLUG WILL FIT IN A POLARIZED OUTLET ONLY ONE WAY. IF THE PLUG DOES NOT FIT FULLY IN THE OUTLET, REVERSE THE PLUG. IF IT STILL DOES NOT FIT, CONTACT A QUALIFIED ELECTRICIAN. NEVER USE WITH AN EXTENSION CORD UNLESS PLUG CAN BE FULLY INSERTED. DO NOT ALTER THE PLUG.

WARNING

* THIS FOUNTAIN IS RATED FOR INDOOR USE ONLY.

** ONCE A WEEK INSPECT FOUNTAIN, FLOOR AND ADJACENT WALL FOR MOISTURE BUILD-UP AND CLEAN AS NECESSARY. THIS IS ESPECIALLY IMPORTANT FOR HUMID ENVIRONMENTS.

*** THIS UNIT MUST BE CONNECTED TO A SUPPLY CIRCUIT THAT IS PROTECTED BY A GROUND FAULT CIRCUIT INTERRUPTER (GFCI). THE GFCI SHOULD BE TESTED ON A ROUTINE BASIS. TO TEST THE GFCI, PUSH THE TEST BUTTON. THE GFCI SHOULD INTERRUPT POWER. PUSH THE RESET BUTTON. POWER SHOULD BE RESTORED. IF THE GFCI FAILS TO OPERATE IN THIS MANNER, THE GFCI IS DEFECTIVE.

AVAILABLE PARTS ARE:

50146BULB (LIGHT)

50146PUMP (PUMP)

D177478TRANS (TRANSFORMER)