

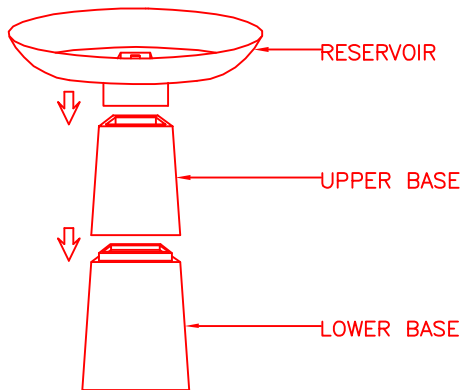
MODEL: 53226SL
ASSEMBLY INSTRUCTIONS
READ AND SAVE THESE INSTRUCTIONS

UNPACK THE FOUNTAIN

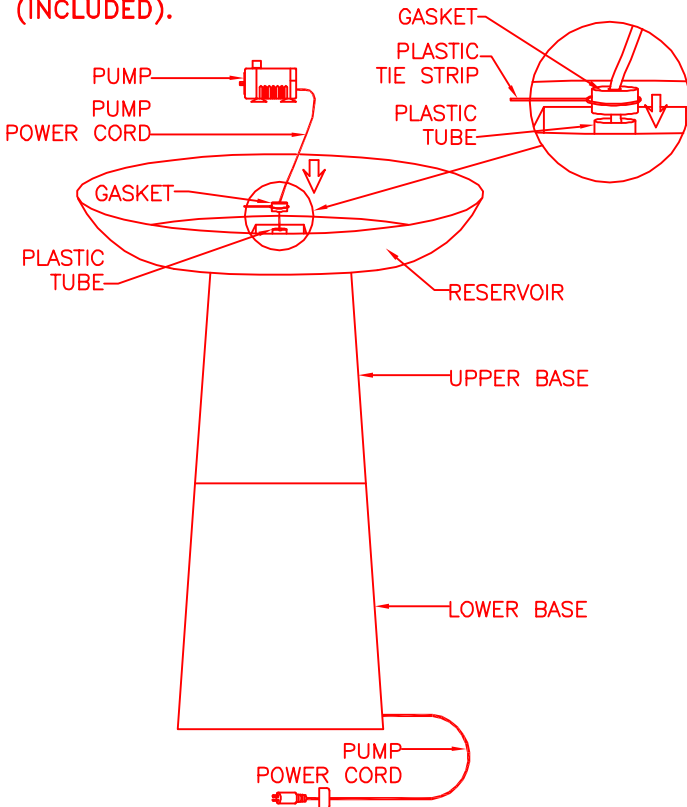
YOU SHOULD HAVE RECEIVED THE FOLLOWING PARTS:
 BALL, PLATE, RUBBER HOSE, PUMP, PLASTIC TIE STRIP,
 RESERVOIR, UPPER BASE, LOWER BASE, A BAG OF RIVER
 STONES AND TRANSFORMER.

FOUNTAIN ASSEMBLY

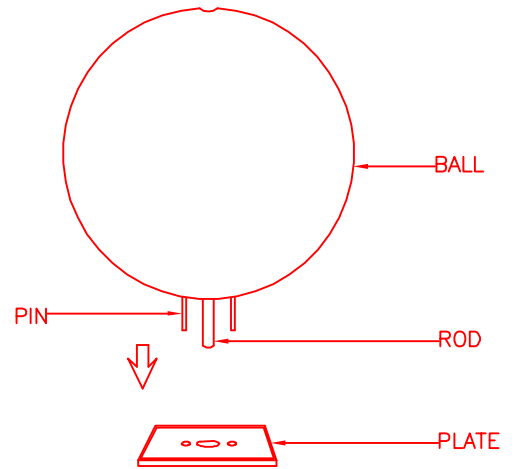
**1. PLACE UPPER BASE ONTO LOWER BASE
 AND PLACE RESERVOIR ONTO UPPER BASE.**



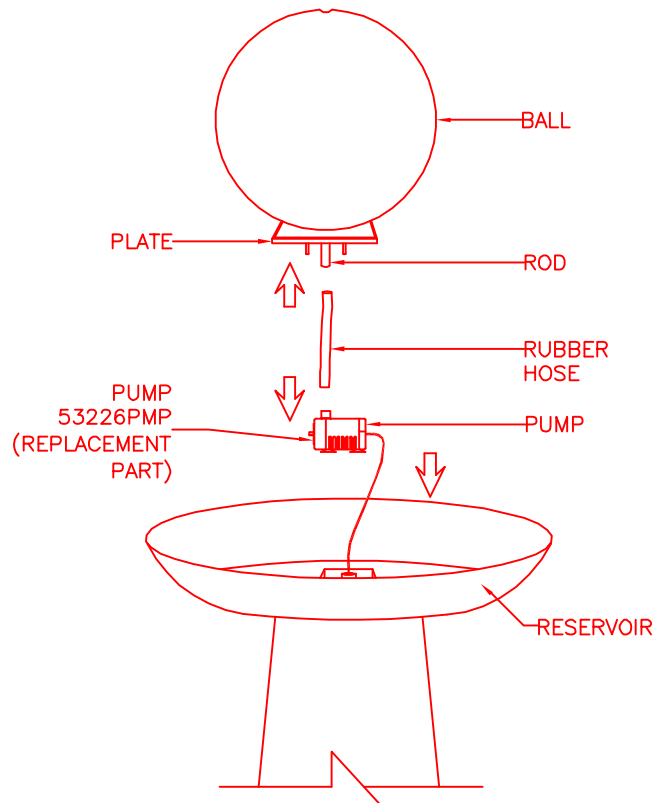
**2. FEED THE PUMP POWER CORD DOWN THROUGH
 THE PLASTIC TUBE AND WORKING DOWNWARDS
 TOWARD BOTTOM OF LOWER BASE, CORD COMES
 OUT FROM CHANNEL ON BOTTOM OF LOWER BASE,
 THEN PLACE RUBBER GASKET OVER PLASTIC TUBE
 AND SECURE BY TIGHTENING A PLASTIC TIE STRIP
 (INCLUDED).**



**3. INSERT THE PINS OF BALL INTO THE
 HOLES OF PLATE.**



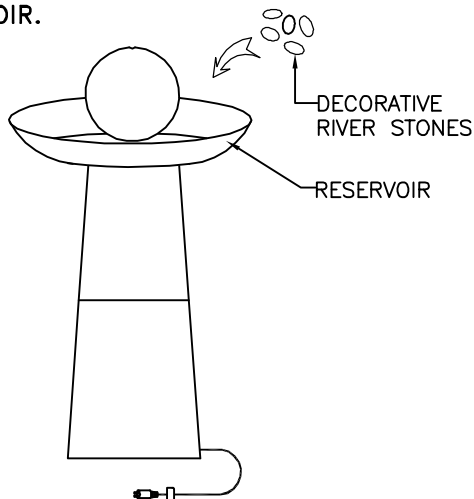
**4. ATTACH RUBBER HOSE TO ROD AND
 PUMP, THEN PLACE BALL WITH PLATE INTO
 RESERVOIR, MAKE SURE THE PUMP SITS
 FLAT IN RESERVOIR.**



MODEL: 53226SL
ASSEMBLY INSTRUCTIONS
READ AND SAVE THESE INSTRUCTIONS

FOUNTAIN ASSEMBLY

5. PLACE DECORATIVE RIVER STONES INTO RESERVOIR.

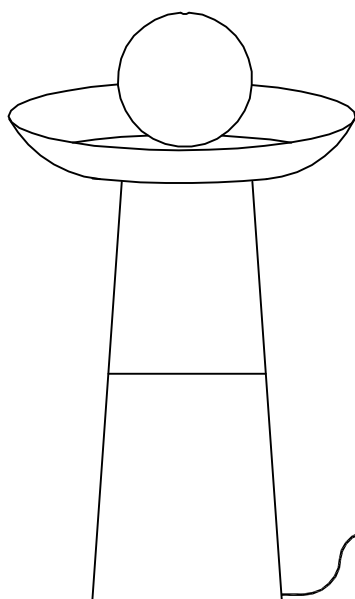


6. FILL RESERVOIR WITH 0.53 GALLONS OF WATER TO COMPLETELY SUBMERSE THE PUMP.

NOTE: DISTILLED WATER IS RECOMMENDED TO REDUCE MINERAL DEPOSITS AND BACTERIA BUILD-UP.

7. JOIN THE CONNECTORS AT TRANSFORMER AND SCREW THE CAP TIGHTLY TOGETHER.

8. PLUG TRANSFORMER INTO OUTLET, YOUR NEW FOUNTAIN IS READY FOR USE.



7/08

TROUBLE SHOOTING:

1. IF YOUR FOUNTAIN DOES NOT WORK, CHECK PLUG AT THE SOCKET. MAKE SURE THE PLUG IS FULLY AND PROPERLY INSERTED INTO THE WALL OUTLET.

2. NEXT CHECK TO MAKE SURE THE OUTLET IS POWERED.

3. IF THE FOUNTAIN STILL DOES NOT WORK, PLEASE CONTACT YOUR DISTRIBUTOR OR PLACE OF PURCHASE.

SPLASHING DISCLAIMER:

SPLASHING MAY OCCUR WHEN FOUNTAIN IS INITIALLY TURNED ON. PROTECT SURROUNDING SURFACES AS NEEDED.

IMPORTANT PUMP INFORMATION:

PUMP MUST BE FULLY SUBMERSED IN WATER WHILE OPERATING.

WATER:

TO REDUCE MINERAL DEPOSITS AND BACTERIA BUILD UP THE USE OF DISTILLED WATER IS RECOMMENDED.

WARNING:

* ONCE A WEEK INSPECT FOUNTAIN, FLOOR AND ADJACENT WALL FOR MOISTURE BUILD-UP AND CLEAN AS NECESSARY. THIS IS ESPECIALLY IMPORTANT FOR HUMID ENVIRONMENTS.

** THIS FOUNTAIN IS RATED FOR INDOOR & OUTDOOR USE.

*** THIS UNIT MUST BE CONNECTED TO A SUPPLY CIRCUIT THAT IS PROTECTED BY A GROUND FAULT CIRCUIT INTERRUPTER (GFCI). THE GFCI SHOULD BE TESTED ON A ROUTINE BASIS. TO TEST THE GFCI, PUSH THE TEST BUTTON. THE GFCI SHOULD INTERRUPT POWER. PUSH THE RESET BUTTON. POWER SHOULD BE RESTORED. IF THE GFCI FAILS TO OPERATE IN THIS MANNER, THE GFCI IS DEFECTIVE.

AVAILABLE PARTS ARE:
 53226PMP (PUMP)
 53226TRANS (TRANSFORMER)

